



SUBMITTAL

Project Name:		Project Location:	
Quote ID:		Item #:	1000
Submitted For:		Submitted On:	
Submitted By:		Submitted From:	
Identity #:		Tag:	

For Record For Approval By: _____ Date: _____

General Product Information

Product Family:	BCH	Compressor Brand:	Copeland
Application:	Outdoor	Compressor Type:	Discus TM
Temperature Range:	Medium Temp	Compressor Hp:	12
Voltage: (Volts/Ph/Hz)	208-230/3/60	Compressor Model:	3DF3R15ME
Refrigerant Type:	R404A	Number of Compressor(s):	1
Piping:	Standard	Coil Type:	Standard Round Tube

NOTE : THIS EQUIPMENT IS PROHIBITED FROM USE IN CALIFORNIA WITH ANY REFRIGERANTS ON THE "LIST OF PROHIBITED SUBSTANCES" FOR THAT SPECIFIC END-USE, IN ACCORDANCE WITH CALIFORNIA CODE OF REGULATIONS, TITLE 17, SECTION 95374. THIS DISCLOSURE STATEMENT HAS BEEN REVIEWED AND APPROVED BY HEATCRAFT REFRIGERATION PRODUCTS LLC AND HEATCRAFT REFRIGERATION PRODUCTS LLC ATTESTS, UNDER PENALTY OF PERJURY, THAT THESE STATEMENTS ARE TRUE AND ACCURATE.

Technical Information

Performance Data

Ambient Temperature (°F)	Saturated Suction Temperature (°F)	Capacity (BTU/H)	Altitude (ft)	AWEF Value
95	15.0	99,680	0	7.6

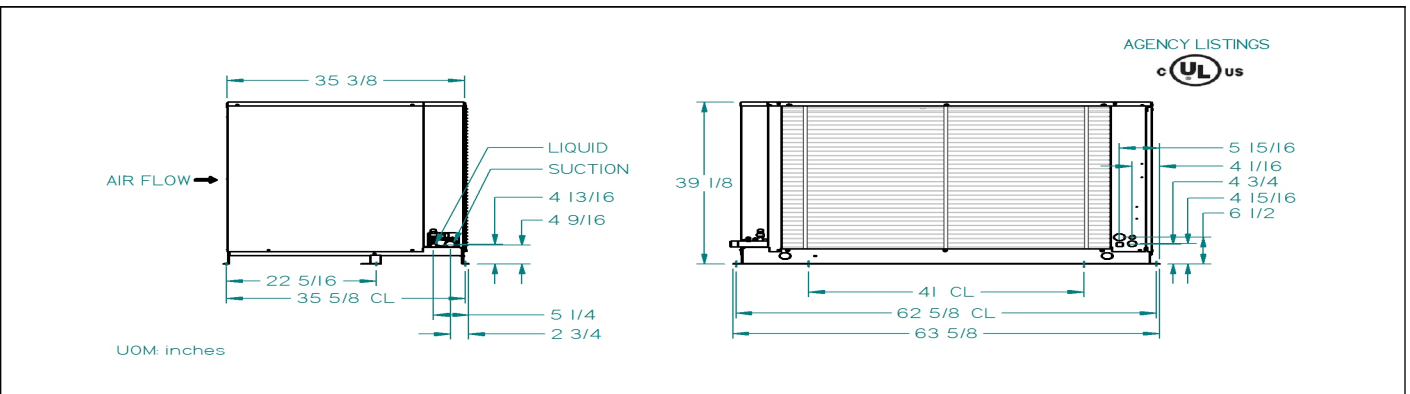
Electrical Data

Compressor(s)		Fan Motor(s)			Electric Ratings						
RLA	LRA	Quantity	Hp	FLA	Defrost Type	High or Low Amps?	Number of Contactors	MCA	MOPD	Evap. Fan Amps	Defrost Heater Amps
43.2	275	2	1/3	2.7	AIR DEFROST	NA		59.4	100		

Unit Specifications

Connections (in.)		Receiver 90% Full (lbs)		Fan Blade(s) Diameter (in)	Sound Data (dB)	Approx. Net Weight (lbs)
Liquid Line	Suction	Standard	Over Sized			
0.625	1.375	67.0	78.0	22	82	1,065

Dimensional Drawing(s)



Project Name:		Project Location:	
Quote ID:		Item #:	1000
Submitted For:		Submitted On:	
Submitted By:		Submitted From:	
Identity #:		Tag:	

Standard Features

QUALITY AND PERFORMANCE

- ALL JOINTS ARE SWEAT TYPE CONNECTIONS, NO MECHANICAL JOINTS TO LEAK
- FIXED HIGH PRESSURE SWITCH ELIMINATES CAPILLARY TUBES
- PIPING IS LAID OUT TO MINIMIZE STRESS AND VIBRATION AND IS PRE-BENT TO ELIMINATE BRAZE JOINTS WHERE POSSIBLE TO REDUCE LEAK POTENTIAL
- PRESSURE RELIEF VALVE ON RECEIVER
- REFRIGERATION DUTY, RIFLED COPPER CONDENSER TUBING
- SEPARATE SUBCOOLING CIRCUIT IN CONDENSER FOR ADDED CAPACITY AND VAPOR FREE LIQUID
- SERVICEMATE DIAGNOSTIC MODULE STANDARD ON ALL NON-BEACON CONDENSING UNITS
- SIGHT GLASS IS EASILY VIEWABLE

SERVICEABILITY

- CONVENIENT ACCESS PANELS TO EASILY SERVICE INTERNAL COMPONENTS
- LARGE ELECTRICAL PANEL TO FACILITATE EASE OF ACCESS
- MANUAL PUMPDOWN SWITCH ON ALL UNITS

COMPONENTS

- DISCUS COMPRESSORS ARE SPRING MOUNTED WITH SUCTION AND DISCHARGE ELIMINATORS
- RECEIVERS ARE SIZED FOR SUFFICIENT PUMPDOWN CAPACITY WITH INLET AND OUTLET SERVICE VALVES
- SIGHT GLASS AND PERMANENT LINE FILTER

CABINET AND CONSTRUCTION

- ALL UNITS FEATURE THE FLOATING TUBE COIL DESIGN WHICH ELIMINATES TUBE SHEET LEAKS
- PAINTED STEEL CABINET FOR SUPERIOR STRENGTH AND CORROSION RESISTANCE

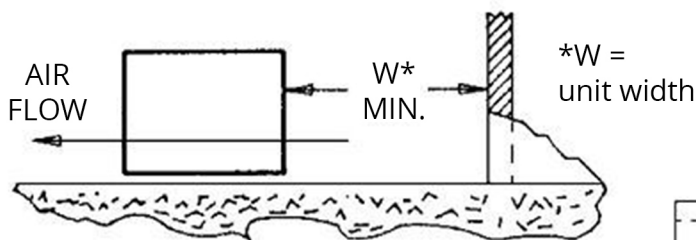
Options

Mounted Options

- Brand Label - BOHN
- Motor - PSC
- Receiver Options - STANDARD W/ INSULATION & LOW PRESSURE BYPASS
- Liquid Line Options - RC FILTER DRIER AND SIGHT GLASS
- Discharge Line Options - HEAD PRESSURE VALVE 150#
- Fused Disconnect - AIR FUSED DISCONNECT
- Crankcase Heater - CRANKCASE HEATER
- Hail Guard Factory Installed - NONE
- Fusing OPTIONS - NO
- Brand Label from Table - N/A
- Coil Selection - ALUMINUM FIN - COPPER TUBE
- Defrost Timer Options - NO TIMER
- Suction Line Options - RC FILTER AND ACCUMULATOR
- Cabinet Selection - Painted
- Pressure Options - ADJUSTABLE LOW - FIXED HIGH
- Phase Loss Monitor - NONE
- Electric Box Options - STANDARD EBOX

Minimum Unit Clearances

Walls or Obstructions for Horizontal Air Flow



Multiple Units with Horizontal Air Flow

